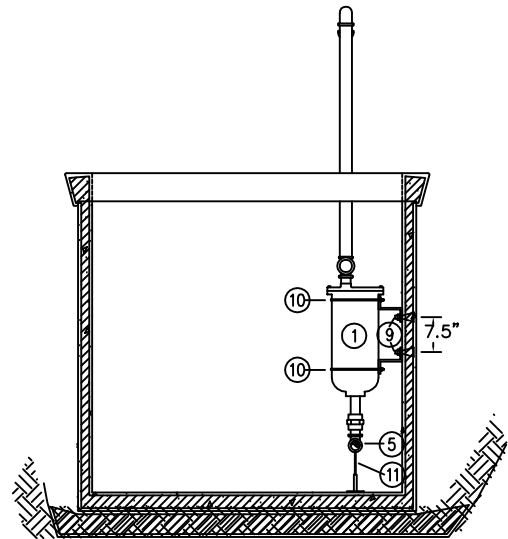
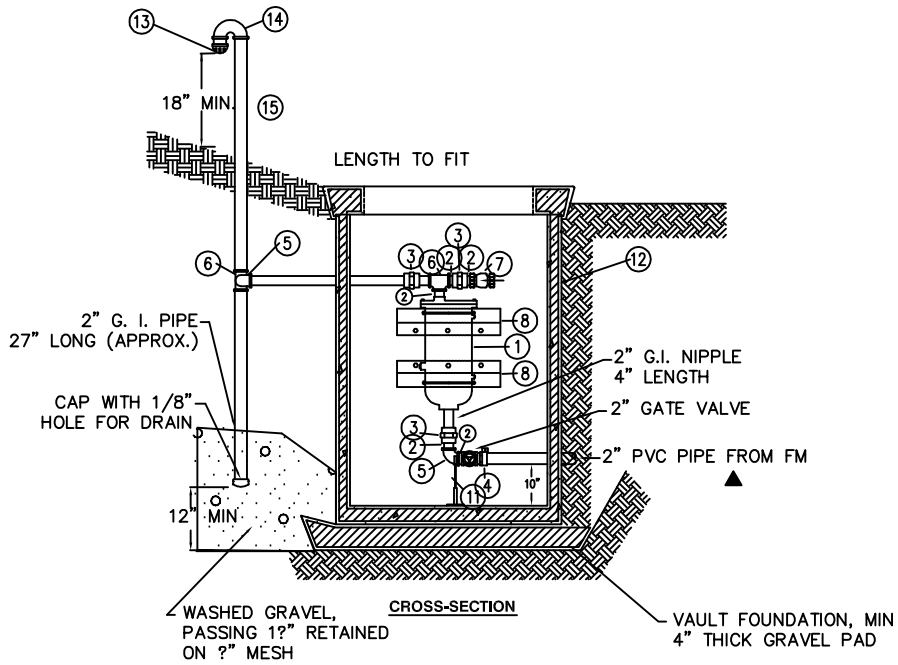


PLAN

NOTE:
PIPING FROM FORCEMAIN
NOT SHOWN THIS VIEW
FOR CLARITY.



PROFILE



CROSS-SECTION

SEWAGE AIR-VACUUM ASSEMBLY

**SEWER STANDARD DETAIL
NORTHEAST SAMMAMISH
SEWER AND WATER DISTRICT**

FILE	SCALE	DATE
SAMDTS10	NTS	9/13/93