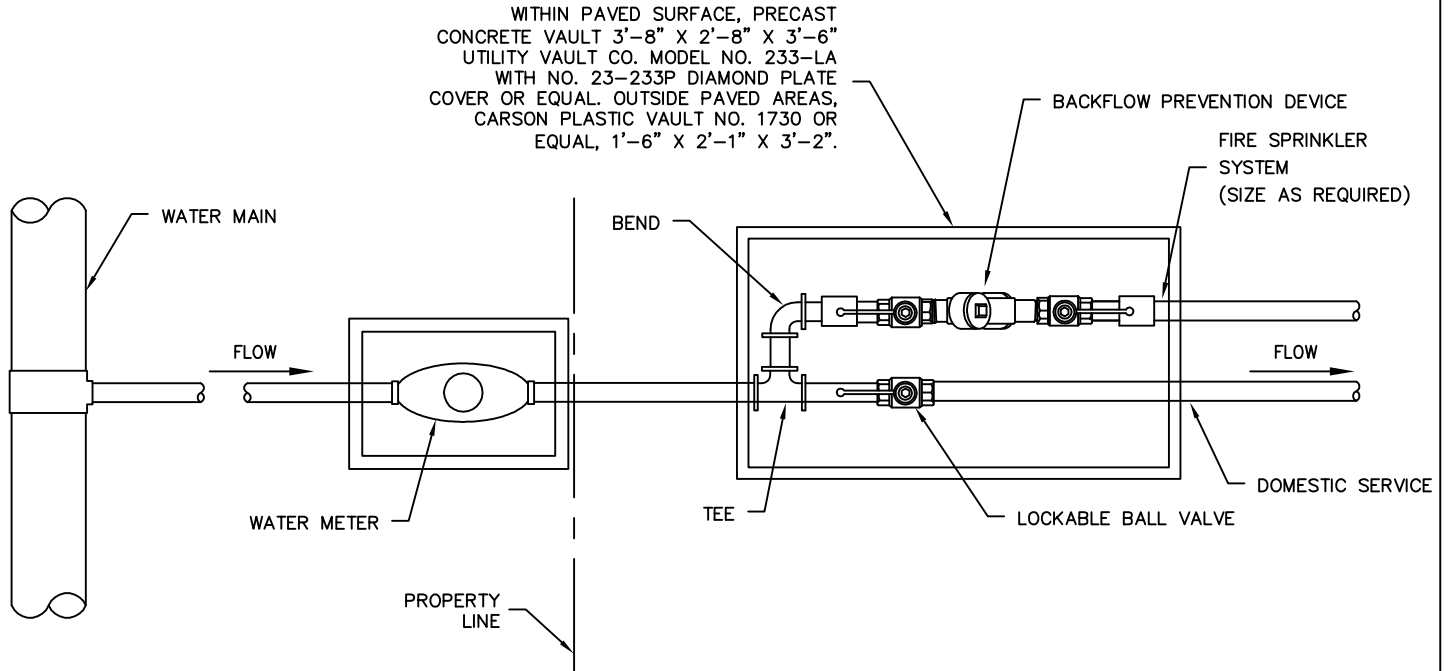


PROFILE



PLAN

WATER STANDARD DETAIL

NORTHEAST SAMMAMISH
SEWER AND WATER DISTRICT

FILE	SCALE	DATE
SAMDTW25	NTS	7/19/96