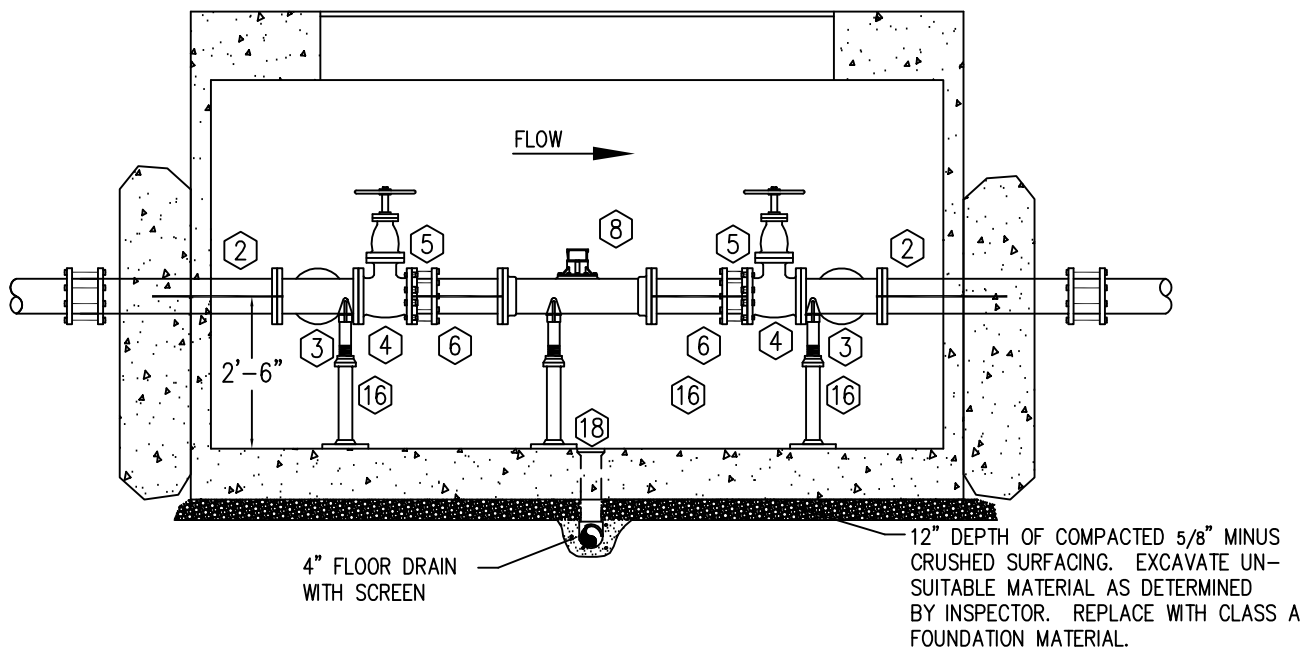


PLAN



ELEVATION

3", 4" AND 6" COMPOUND METER SERVICE

WATER STANDARD DETAIL

**NORTHEAST SAMMAMISH
SEWER AND WATER DISTRICT**

FILE	SCALE	DATE
SAMDTW27	NTS	10/01/97