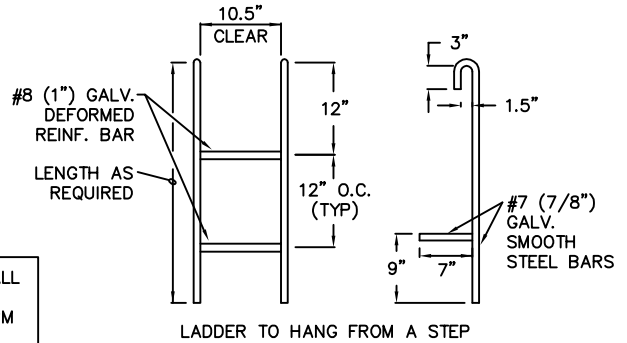
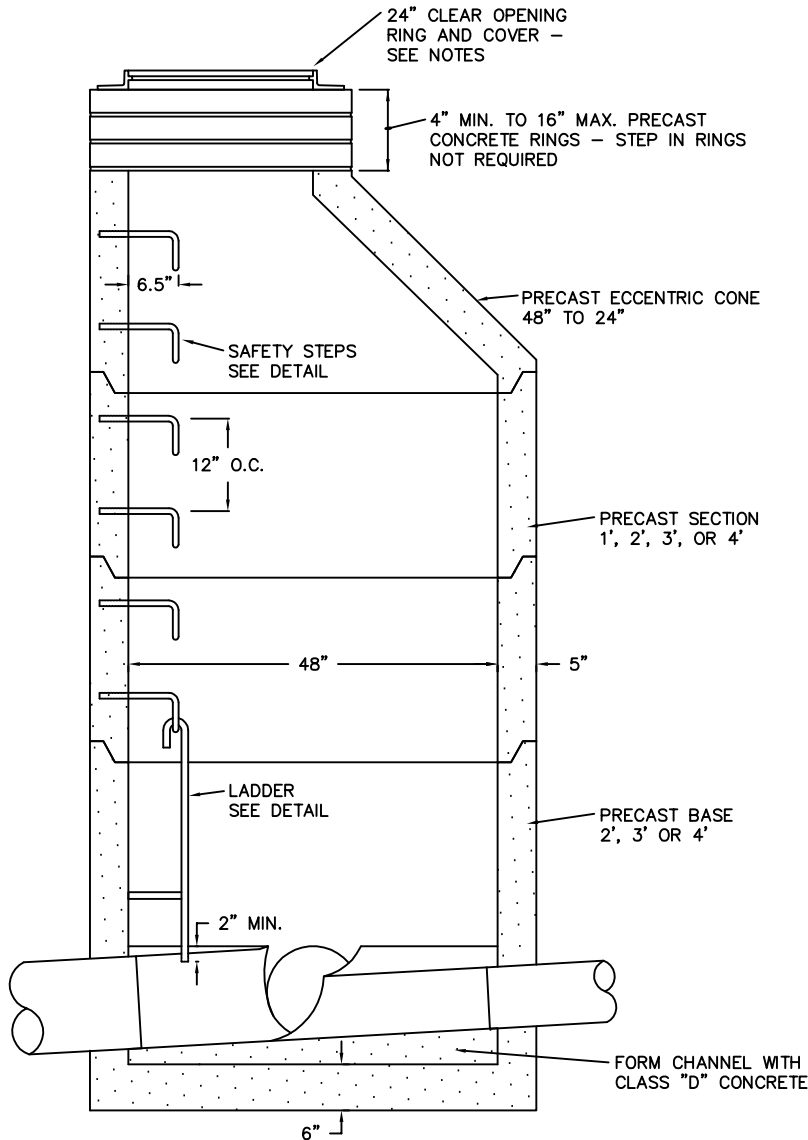


**SAFETY STEP**

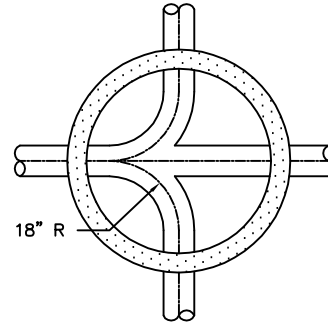
NOTE: DEFORMED BAR SHALL CONFORM TO ASTM A15. GALVANIZING SHALL CONFORM TO ASTM A123.



**LADDER**



**48" STANDARD MANHOLE**



**PLAN**

MANHOLE GENERAL NOTES:

1. IN UNIMPROVED AREAS AND EASEMENTS, MANHOLE SHALL EXTEND A MINIMUM OF 6" AND A MAX. OF 18" ABOVE FINISHED GRADE. RING AND COVER SHALL BE AS SPECIFIED BELOW AND SHALL HAVE 3 RECESSED 5/8" IINC X 1-1/4" STAINLESS STEEL SOCKET HEAD CAP SCREWS FOR LOCKING.
2. MANHOLE RING AND COVER SHALL HAVE 24" CLEAR OPENING AND BE EQUAL TO OLYMPIC FOUNDRY CO. NO. MH30, WITH A CAST IN HAND HOLE COVER. WORDING ON COVER SHALL BE "SEWER" FOR SANITARY SEWER, AND "DRAIN" FOR STORM DRAIN.
3. MANHOLE SHOWN IS 48" INSIDE DIAMETER, 5" WALL THICKNESS. MAX. PIPE SIZE FOR THE 48" MANHOLE IS 21".  
54" INSIDE DIAMETER MANHOLE SHALL BE THE SAME AS THE 48" I.D. MANHOLE SHOWN EXCEPT THAT THE WALL THICKNESS SHALL BE 5 1/2" AND THE MANHOLE WALL SHALL HAVE NOT LESS THAN 0.12 SQ. IN. PER LINEAL FT. CIRCUMFERENTIAL DEFORMED REINFORCING STEEL. MAX. PIPE SIZE FOR THE 54" MANHOLE IS 36". ALL PRECAST SECTIONS SHALL CONFORM TO ASTM C-478.
4. ALL HOLES FOR INLET AND OUTLET PIPE SHALL BE BLOCKED OUT WHEN SECTIONS ARE CAST.
5. ALL MANHOLE JOINTS SHALL USE A CONFINED ROUND RUBBER GASKET MEETING ASTM C-443 SPECIFICATIONS.
6. ALL PVC PIPE THROUGH MANHOLE WALL SHALL HAVE A KORN-N-SEAL BOOT. PIPE SHALL BE GROUTED INTO PLACE FROM THE INSIDE.

**SEWER STANDARD DETAIL**

**NORTHEAST SAMMAMISH  
SEWER AND WATER DISTRICT**

FILE	SCALE	DATE
SAMDTS8	NTS	9/13/93