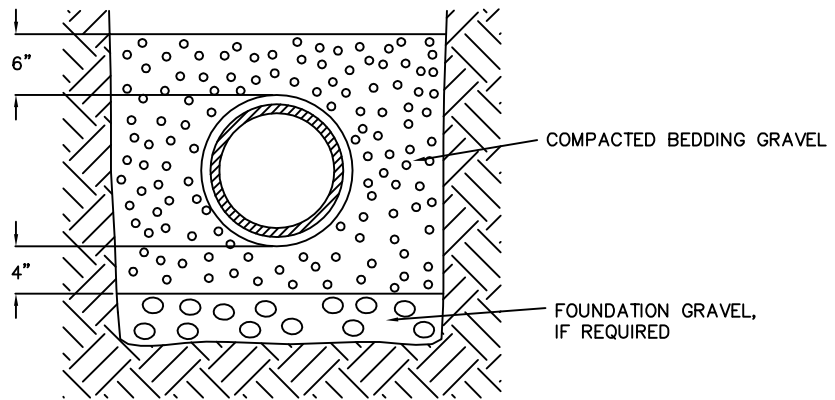
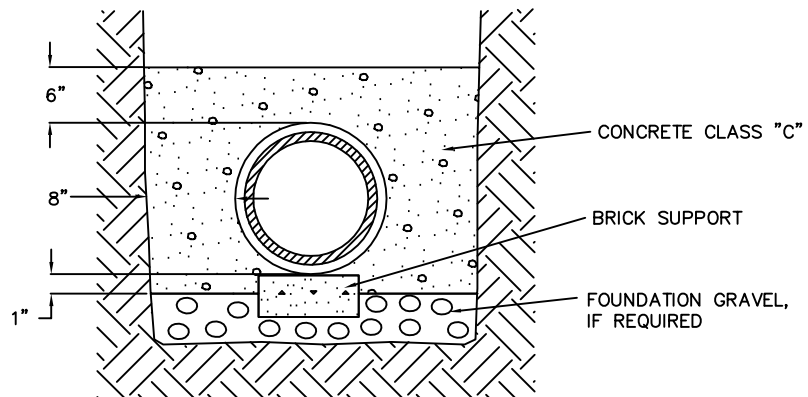


RIGID PIPE BEDDING



FLEXIBLE PIPE BEDDING



CONCRETE ENCASEMENT

# SEWER STANDARD DETAIL

NORTHEAST SAMMAMISH  
SEWER AND WATER DISTRICT

FILE	SCALE	DATE
SAMDTS20	NTS	3/09/93