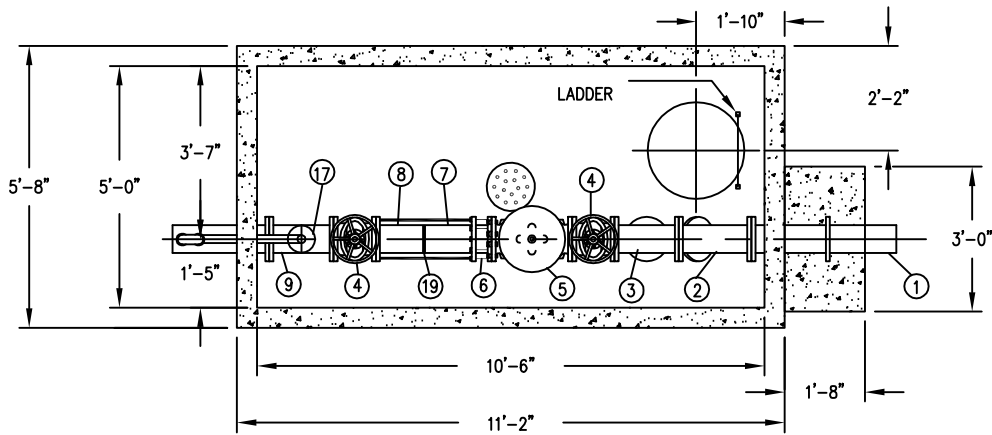
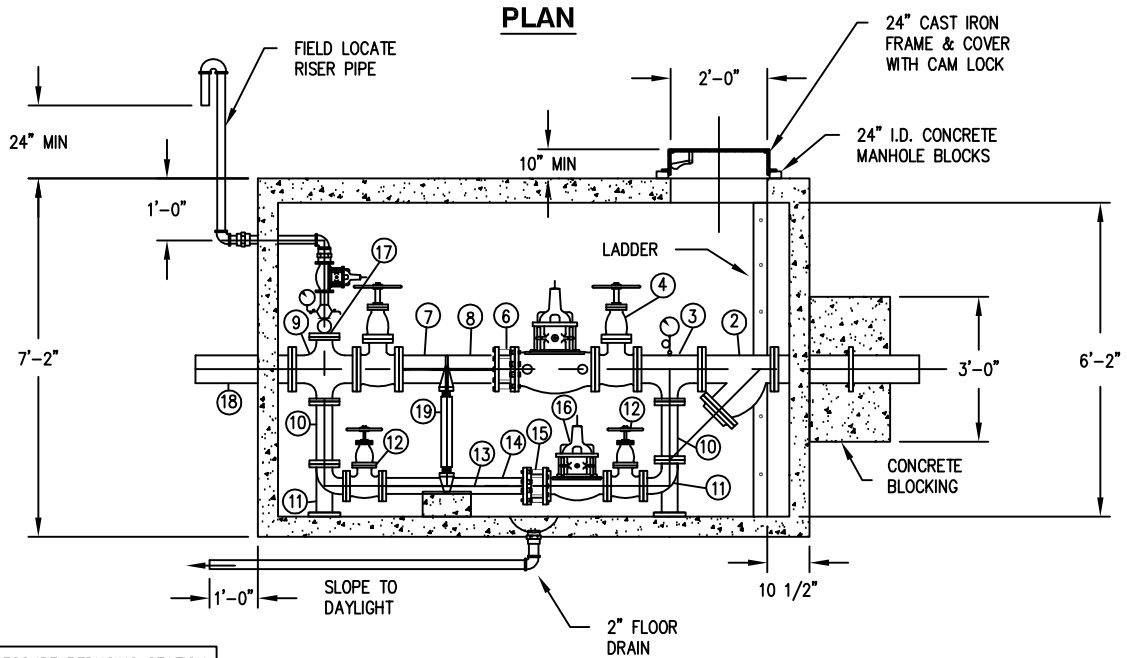


TYPE ARRANGEMENT



PLAN



ELEVATION

NOTE: SEE "PRESSURE REDUCING STATION NOTES" SHEET FOR FITTING NOTES

PRESSURE REDUCING STATION

WATER STANDARD DETAIL

NORTHEAST SAMMAMISH
SEWER AND WATER DISTRICT

FILE	SCALE	DATE
SAMDTW15	NTS	9/14/93